

HEAVY DUTY CONNECTOR

1.METECON

2.METEINSTALLATION

METECEE

METESOLID

METEBOX -PL

METEBOX -AL

METEAQUA

HEAVY DUTY CONNECTOR

Products with 3 - 48 contacts, which can carry 250V~460V and 10A ~80A current in electrical circuit connections, are designed for power and signals transmission.

Standards: EN61984 –UL1977

Applications:

- Machine systems
- Robotics
- Energy (Solar and Wind power plants, etc.)
- Agricultural machinery
- Transport Vehicles
- Automation (Industry 4.0 applications etc.)
- Automotive (Electric Cars etc.)
- Defense Industry

This product group is used for power, signal, data distribution.



Advantages:

- Different Cable entries PG - METRIC - NPT
- Aluminum/Plastic Housings
- Various enclosure options are available
- Compact design
- Long-lasting performance
- Operating ambient temperature: -40C ~125C
- Mechanical working life: ≥500
- Silver Plated Contacts
- Inox stainless screws
- High construction enclosure options
- NBR Gasket
- Suitable for DC and AC currents
- Compatible with other brands

Technologies available:

- Signal and power transmission up to 80A / 460V
- Crimp, Spring, Screw terminations



METECON



LISTED



Inserts

Housings

A Series

D Series

E Series

EE Series

HSB Series

K Series

A Size

B Size



HEAVY DUTY CONNECTORS - APPLICATIONS



PLASTIC INJECTION MACHINES



CRANES



OTOMATION



RAILWAYS



WIND TURBINES



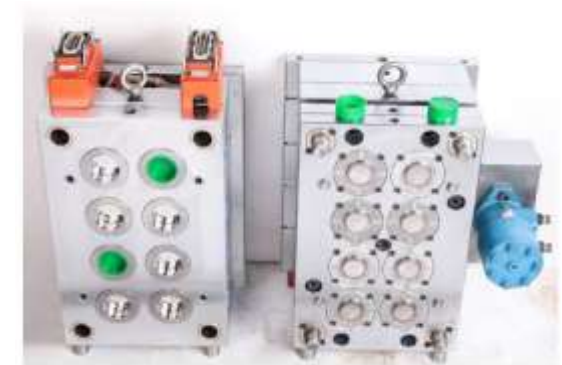
FARMING MACHINES



ROBOTICS



CNC MACHINES



HOT RUNNER PLASTIC MOLDS

HEAVY DUTY CONNECTORS – CODING SYSTEM



29016

29131



- Codes start with 29 use for non-assembled inserts or enclosures.

403501



403027S



- Codes start with 403 are used for assembled products.

29079



29013S



290462



403090S



- When the letter S comes at the end code of the latched enclosures, it means the latch is made of metal, if there is no letter S, the latch is made of plastic.



2935220405

293522: Product Code
04: pg13,5 Cable Entry
05: Grey Colour
 (Enclosure Colour)

- At the end of the codes of the enclosures, a 4-digit code will be added to determine the PG-Metric-NPT cable entry and colour.



HEAVY DUTY CONNECTORS – CODING SYSTEM

29062 04 05 S

Product Code

Enclosure colour code

- 04: Black
- 05: Grey

Cable Entry Options

28:N 1	23:M16	22:M20	03:Pg11	04:Pg13,5
29:N ¾	23:M25	24:M32	05:Pg16	06:Pg21
30:N ½	25:M40	26:M50	07:Pg29	08:pg36
NPT System	METRIC System		Pg System	

- **S:** It means that the latch is made of Metal.
- If there is no letter **S** in the code, the latch on the body is made of plastic.
- **Note:** **S** letter is used only on latched Hood/Housings.

NPT (National Pipe Thread)For USA/CANA users

MetricFor International users, Mostly European Countries

PG (Panzer-Gewinde) For International users

HEAVY DUTY CONNECTOR – INSERTS / HOUSINGS

INSERTS

A Series

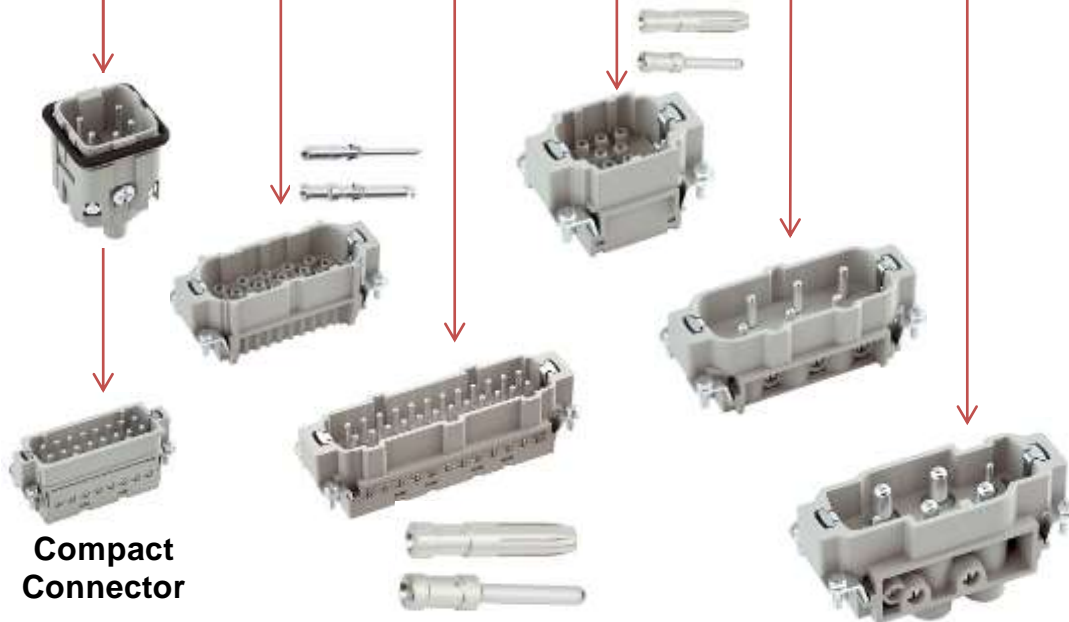
D Series

E Series

EE Series

HSB Series

K Series



HOODS / HOUSINGS

A Size

B Size



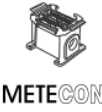


HEAVY DUTY CONNECTORS - INSERTS

Specs.	INSERTS					
Serie	A Series	D Series	E Series	EE Series	HSB Series	K Series
Ampere	10A	10A	16A	16A	35A	16/80A
Voltage	250V	250V	400V	400V	400-690V	400-690V
Operating Voltage	4kV	4kV	6kV	4kV	6kV	6kV
Pole No.	3-4-5	40/64/80/128	6/10/16/24/32/48	10	6 / 12	4/4+2/4+8
Termination	Screw	Crimp	Screw/ Spring/ Crimp	Crimp	Screw	Screw
Suitable enclosure	3A Size	16/24/32/48B Size	B Size	6B Size	24-48B Size	16-24B Size
Cable cross section	1.0~2.5mm ²	1.0~2.5mm ²	1.0~2.5mm ²	1.0~2.5mm ²	6mm ²	1.5~16.0mm ²



Compact Connector



HEAVY DUTY CONNECTORS - HOODS / HOUSINGS

HOOD & HOUSING OPTIONS



METAL ENCLOSURE



PLATIC ENCLOSURE



SINGLE LATCH



DOUBLE LATCH



SINGLE LATCH WITH COVER



EXTERNAL COVER



PLASTIC LATCH



TOP/SIDE CABLE ENTRY



DOUBLE CABLE ENTRY



HIGH CONSTRUCTION



Single and double hot runner enclosure
(Suitable for 10-16-24B Enclosures)

Application: Plastic injection molds with hot runner



HEAVY DUTY CONNECTORS : COMPATIBILITY



A Series Inserts 10A

10A	250V	4kV
3-4-5 Poles	Screw Termination	Suitable Enclosure: 3A Size



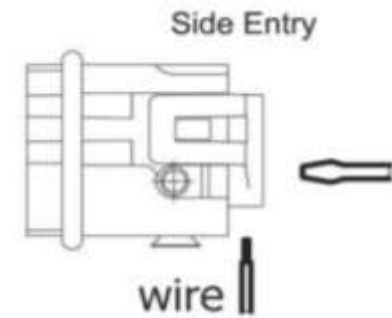
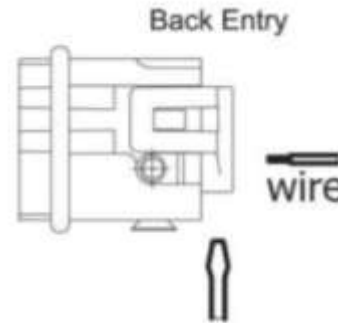
A Size Enclosures 3A

IP65	Pg11~Pg13,5	M20
Top & Side Cable Entry	Aluminum & Plastic	24 Options



Not: Only 3-4-5 contact inserts have rear and side cable entry options.

The product selection depends on the application, cable diameter and whether the cable has cable lug or not.



Compact Connector

A Series Inserts 16A

16A	250V	4kV
10-16-32 Poles	Screw Termination	Suitable Enclosure: 10-16-32A Tip



A Size Enclosures 6-16-32A

IP65	Pg13.5 ~P21	M20~M40
Top/Side/Double Cable Entry	Aluminum	63 Options



HEAVY DUTY CONNECTORS : COMPATIBILITY



D Series Inserts

16A

400V

6kV

40-64-80-128 Poles

Crimp Termination

Suitable Enclosure: : 16-24-32-48B Tip

Compatible Enclosures

B Size Enclosures 16-24-32-48B

IP65

Pg21~Pg36

M25~M50

Top/Side/Double Cable Entry

Aluminum

221 Options



E Series Inserts

16A

400V

6kV

6-10-16-24-32-48 Poles

Screw/ Spring/ Crimp Termination

Suitable Enclosure: B Tip

Compatible Enclosures

B Size Enclosures 6-10-16-24-32-48B

IP65

Pg16~Pg36

M20~M50

Top/Side/Double Cable Entry

Aluminum

356 Options



EE Series Inserts

16A

400V

6kV

10 Poles

Crimp Termination

Suitable Enclosure: 10-16-32A Tip

Compatible Enclosures

B Size Enclosures 6B

IP65

Pg13.5~P16

M20~M25

Top/Side/Double Cable Entry

Aluminum

42 Options



HEAVY DUTY CONNECTORS : COMPATIBILITY



HSB Series Inserts

35A	400-690V	6kV
6-12 Kontaklı	Screw Termination	Suitable Enclosure: 16-32 Tip



B Size Enclosures 16-32B

IP65	Pg21	M25~ M40
Top/Side/Double Cable Entry	Aluminum	88 Options



K Series Inserts

16/80A	400-690V	6kV
4/4+2/4+8 Kontaklı	Screw Termination	Suitable Enclosure: B Tip



B Size Enclosures 16-24-32-48B

IP65	Pg21~ Pg36	M20~ M50
Top/Side/Double Cable Entry	Aluminum	221 Options



HEAVY DUTY CONNECTORS – CODING PINS



1102660

- Coding Pin
- 5 x 12 m



1109660

- Guide Pin
- 5 x 12 m



1109760

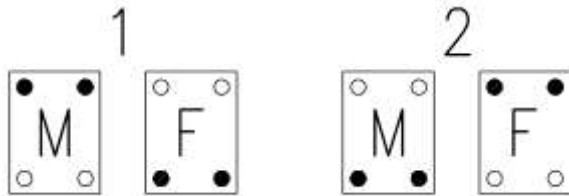
- Guide Bushing
- 5 x 12 m



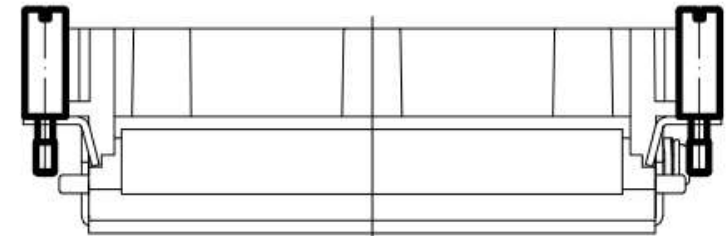
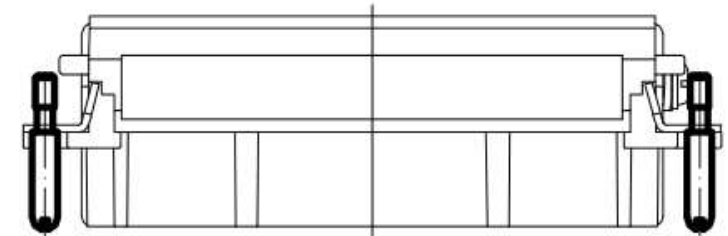
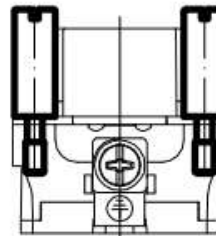
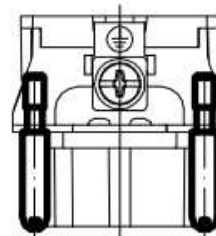
1109860

- Single Coding Pin
- 5 x 12 m

- **Minimizing and preventing operator errors**
- **Prevents mismatching**
- **Up to 72 different combinations**
- **Time savings in assembly**



Mounting Samples

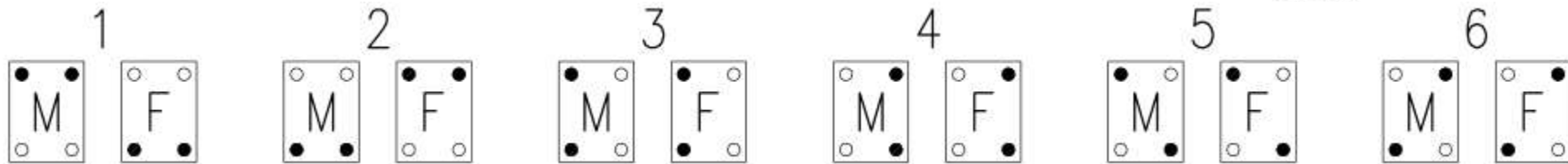


CODING PIN FOR SINGLE INSERTS

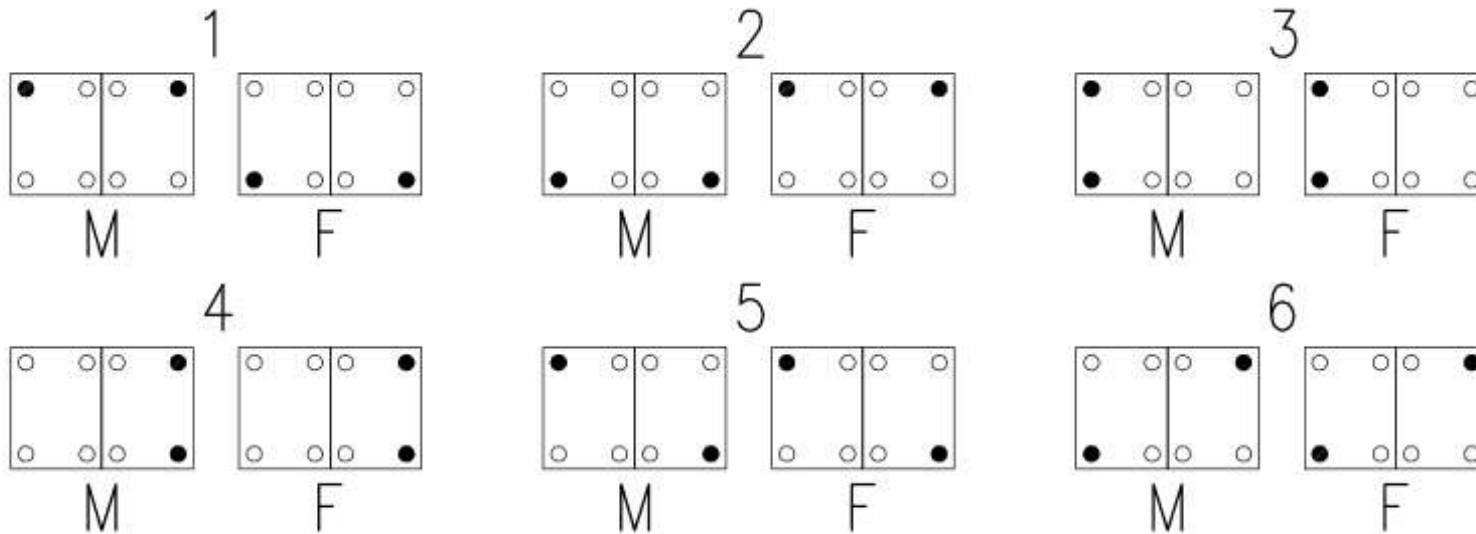


1102660

- Coding Pin
- 5 x 12 m



CODING PIN FOR DOUBLE INSERTS



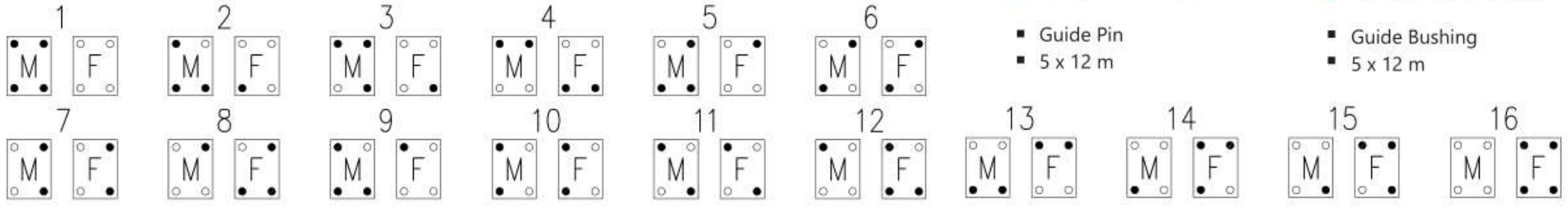
● Code pin

○ Normal mounting screw

M – Male insert

F – Female insert

CODING PIN FOR SINGLE INSERTS



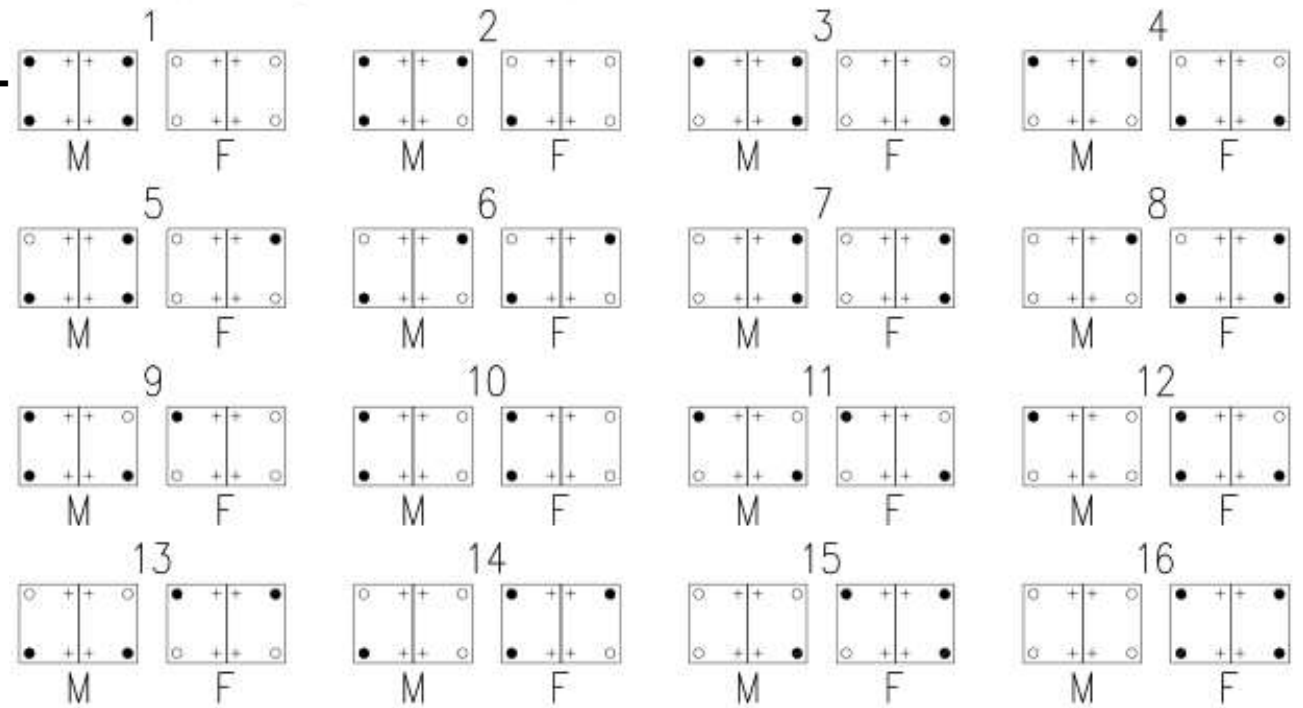
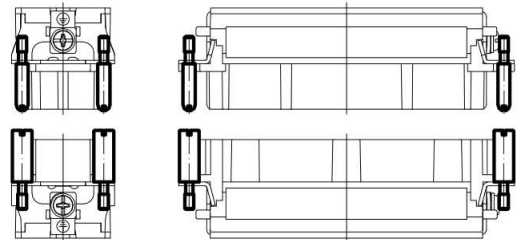
1109660

- Guide Pin
- 5 x 12 m

1109760

- Guide Bushing
- 5 x 12 m

CODING PIN FOR DOUBLE INSERT



- Guide pin
- Bush

- M – Male insert
- F – Female insert

+ Normal mounting screw

CODING PIN FOR SINGLE INSERTS



1109660

- Guide Pin
- 5 x 12 m



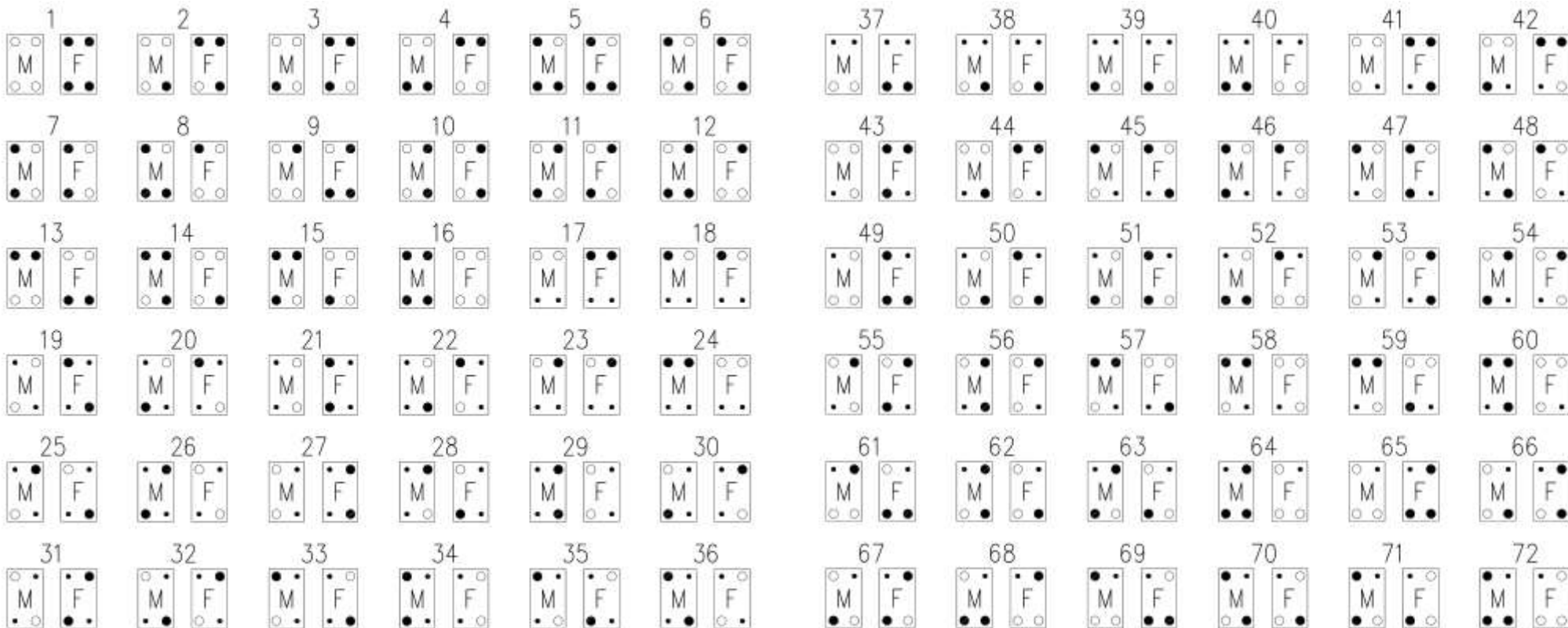
1109760

- Guide Bushing
- 5 x 12 m



1109860

- Single Coding Pin
- 5 x 12 m



- Guide pin 1109660
- Guide bushing 1109760
- Single code pin 1109860

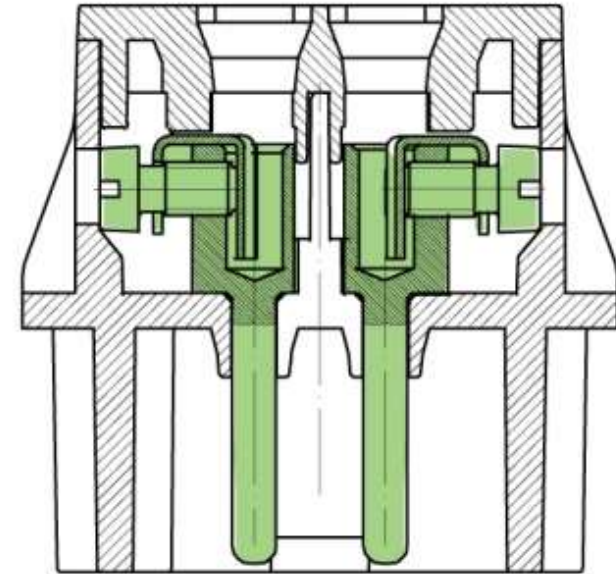
M = Male insert
F = Female insert

HEAVY DUTY CONNECTORS - SCREW CONNECTION TECHNOLOGY

This method is the most frequent way of connection in electrical connectors. Screw connection is designed conforming to EN 61984 /VDE 0627.

Characteristics of Screw Technology:

- Easy mounting process.
- Special tool is not required.
- This connection has high quality which enables the usage in vast area of applications.
- Rewiring is an important option in this technology.



Screw Connection

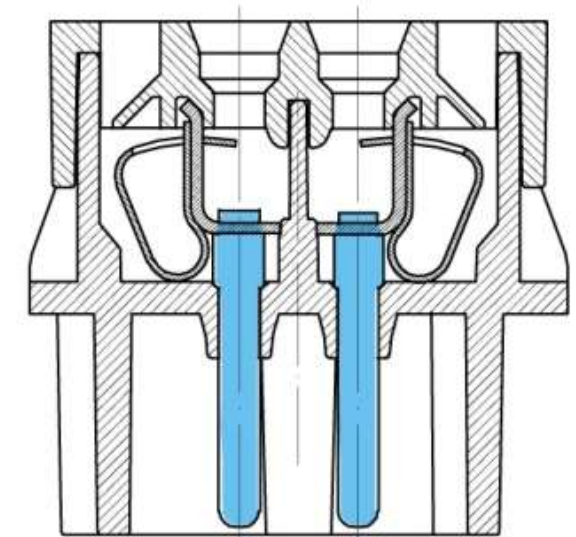
HEAVY DUTY CONNECTORS - SPRING CONNECTION TECHNOLOGY

Spring connection is designed conforming to EN 61984 /VDE 0627.

Spring connections should be support with spring tool
(Flat screw driver).

characteristics of spring Technology:

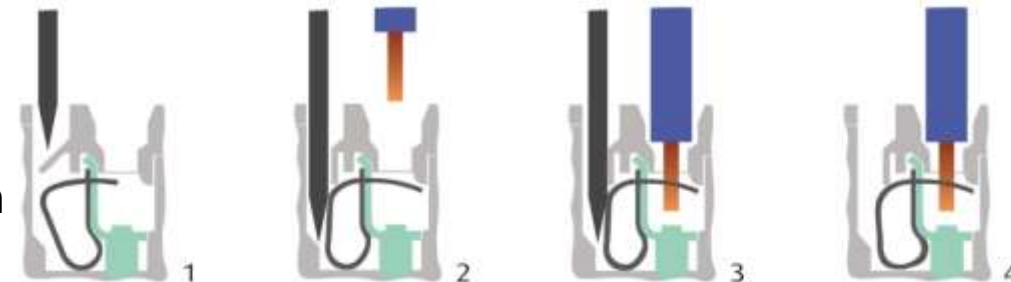
- This connection can be perform with no special tool.
- Able to support vibration proof connections.
- Has option of rewiring and it is not a permanent connection.



Spring Connection

Steps:

- 1-Inserting the screw driver into spring hole.
- 2-Hold the screw driver and prepare the cable.
- 3-Insert the cable into cable section.
- 4-Bring out the screw driver to support the connection

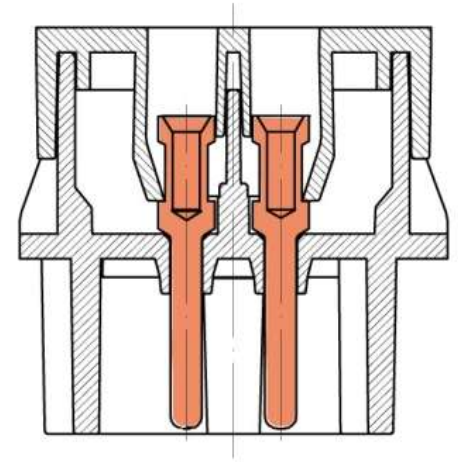


Çok Kontaklı Fiş Prizler – Bağlantı Teknolojileri - Krimp

This method has the highest quality in terms of contacting the cables to connectors in electrical connectors. Crimp connection is conforming to EN 61984 /VDE 0627. Crimp connections should be supported with crimping tool to guarantee the permanent connection.

Characteristics of Crimp Technology

- High quality connection comparing with other technologies.
- Repeatability of using the connectors.
- Its compact feature enable more contact density.
- long-lasting connection..



Crimp Connection



16A Crimp Contacts
Cable Cross Sections
0.14~4.00mm²

10A Crimp Removal Tool



10A Crimp Contacts
Cable Cross Sections
0.14~2.50mm²

16A Crimp Removal Tool



10 & 16 A Crimping
Tool